

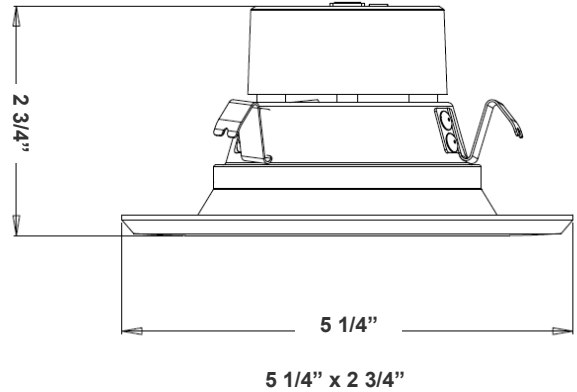
# RDL SERIES RESIDENTIAL LIGHTING

RDL4-ST-MCT5-ORB  
4" Smooth Recessed Trim

Customer Name: \_\_\_\_\_

Project Name: \_\_\_\_\_

Note: \_\_\_\_\_ Type: \_\_\_\_\_



## Features

- 4" Smooth Recessed Trim
- Multi CCT (Selectable Switch on the Back of the driver )
- Isolated Driver for Improved Thermal Management
- 5-Year Warranty
- Spun Aluminum with White Powder Coat Finish

## Technical Specifications

### Electrical:

- Voltage: 120V AC
- Output Voltage: 36VDC
- Power Factor: >0.90
- Wattage: 10W
- Efficacy: 70 LPW
- Total Harmonic Distortion: ≤15 %

### Mechanical:

- Spun Aluminum with White Powder Coat Finish
- Includes 8" Medium Base E-26 Screw-in Adapter That Fits any Standard Incandescent Down-light
- Maximum Ambient Temperature: 104°F
- Fits in Standard 4" Recessed Housings
- Rated life: 50,000 hrs
- Suitable For Wet Location

### Lighting:

- Dimming: TRIAC Dimming (Using Standard TRIAC LED Dimmers)
- LED: Epistar Chip (COB) and Driver—35,000-hour Design Life
- Can Rotate after Installation to Align
- Optics: White Translucent Acrylic Lens
- Total Lumens: 700 LM
- Multi Color Temperatures: 2700K/ 3000K/ 3500K/ 4000K/ 5000K
- Multi CCT (Selectable Switch on the Back of the Driver )
- Color Rendering Index: CRI ≥ 90

### Applications:

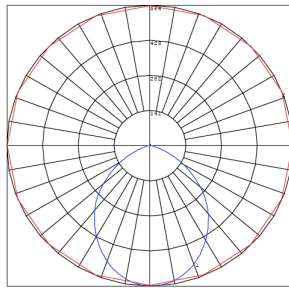
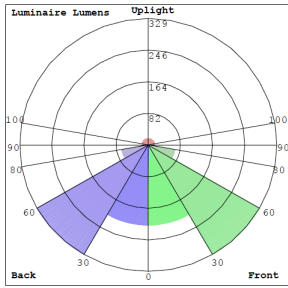
- LED retrofit trim have been designed to be a flexible lighting solution for retrofit and new construction applications, Ideal for closets, storage areas, attics, corridors, or general lighting solutions for residential and commercial applications

### Other Models:

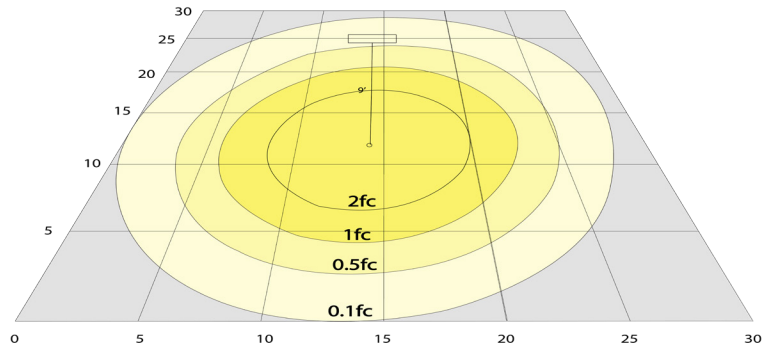
- 15W | 1275LM | RDL6-ST-MCT5-ORB



## Photometrics: RDL4-ST-MCT5-ORB



BUG Rating: B1-U2-G0



Area 30'x 30' Mounting Height: 9'

## Other Views:



Side View



Front View



Back View

## Performance Table: RDL4-ST-MCT5-ORB

MODEL NO.	Wattage	Voltage	Lumens	Color Temp.	BUG Rating	LPW
RDL4-ST-MCT5-ORB	10W	120V	700LM	2700K/3000K/3500K/4000K/5000K	B1-U2-G0	70

## Sample Ordering

**Model**      **Style**      **Color Temp.**      **Housing**  
 -  -  -

### Accessories:

Blank = No Option For Accessories  
**RDL4-BF-TRMB-BK** = RDL4-BF SERIES COLOR TRIM, BAFFLE BLACK  
**RDL4-BF-TRMB-BN** = RDL4-BF SERIES COLOR TRIM, BAFFLE BRUSHED NICKEL  
**RDL4-BF-TRMB-ORB** = RDL4-BF SERIES COLOR TRIM, BAFFLE OIL-RUBBED BRONZE  
**RDL4-BF-TRMB-WH** = RDL4-BF SERIES COLOR TRIM, BAFFLE WHITE  
**RDL4-BF-TRMS-BK** = RDL4-BF SERIES COLOR TRIM, SMOOTH BLACK  
**RDL4-BF-TRMS-BN** = RDL4-BF SERIES COLOR TRIM, SMOOTH BRUSHED NICKEL  
**RDL4-BF-TRMS-ORB** = RDL4-BF SERIES COLOR TRIM, SMOOTH OIL-RUBBED BRONZE  
**RDL4-BF-TRMS-WH** = RDL4-BF SERIES COLOR TRIM, SMOOTH WHITE  
**E26-CONVERTER** = SCREW-IN ADAPTER THAT FITS ANY STANDARD

### Factory-installed Option:

Blank = No Option For Accessories  
**OPT-EM-DL1EXT** = EXTERNAL BATTERY BACKUP

### ACCESSORY:



### FACTORY-INSTALLED OPTION:



## Example:

- RDL4-ST-MCT5-ORB (FOR RDL4 10W MCT5 FIXTURE 120V)
- RDL4-ST-MCT5-ORB OPT-EM-DL1EXT (FOR RDL4 10W MCT5 FIXTURE 120V) (EXTERNAL BATTERY BACKUP)



## Compatible Dimmer List:

MODEL NO.	BRAND	MODEL NO.	BRAND
LUXDM600-12 600W	ALMOND	S-600-IV 600W	LUTRON
SDM3/1000/WHTTE 1000W	AH	S-600-AL 600W	LUTRON
SDM/600/WHTTE 600W	AH	D-600R-IV 600W	LUTRON
18024 600W	GE	DV-603PH-WH 600W	LUTRON
6683 600W	LEVITON	S-603PH-WH 600W	LUTRON
6631-LA 600W	LEVITON	AY-600P-WH	LUTRON
LIGHT ALMOND NO.6672 600W	LEVITON	AYCL-153PH	LUTRON
603-6631-A 600W	LEVITON	SELV-300P-WH	LUTRON
6631-A 600W	LEVITON	DV-600P-WH	LUTRON
White/Lvory/Light Almond IPI10-1LZ 600W	LEVITON	SCL-153PH-WH	LUTRON
DV-603P600W	LUTRON	MACL-153MH-WH	LUTRON
S-600 600W	LUTRON	DVCL-253PH	LUTRON
DV-603PH-WH 600W	LUTRON	MSCL-OP153MH-WH	LUTRON
DV-600PH-WH 600W	LUTRON	MACL-153MLH-WH	LUTRON
S-603PGH-WH 600W	LUTRON	6683 600W	LEVITON
S-10PH 1000W	LUTRON	6631-LA 600W	LEVITON
D-600RH-DK 600W	LUTRON	LIGHT ALMOND NO.6672 600W	LEVITON
TG-600PH-WH 600W	LUTRON	603-6631-A 600W	LEVITON
SCL-153P-WH 600W	LUTRON	6631-A 600W	LEVITON
D-600R-WH 600W	LUTRON	White/Lvory/Light Almond IPI10-1LZ 600W	LEVITON

